

KWU112-30

30 Inch Undermount Workstation Double Bowl Stainless Steel Kitchen Sink

Kräus[®]

SPECIFICATION SHEET

Sink Dimensions

Overall Dimensions: 30" x 19"

Bowl Dimensions: 13 7/8" x 16"

Sink Depth: 10"

Features

- 16 Gauge Stainless Steel Construction
- Undermount Double Bowl Sink
- Required Minimum Cabinet Size: 33" Left to Right, 24" Front to Back
- Rear Center Set Drains
- 3 1/2" Drain Opening
- NoiseDefend Undercoating and Sound Dampening Pads

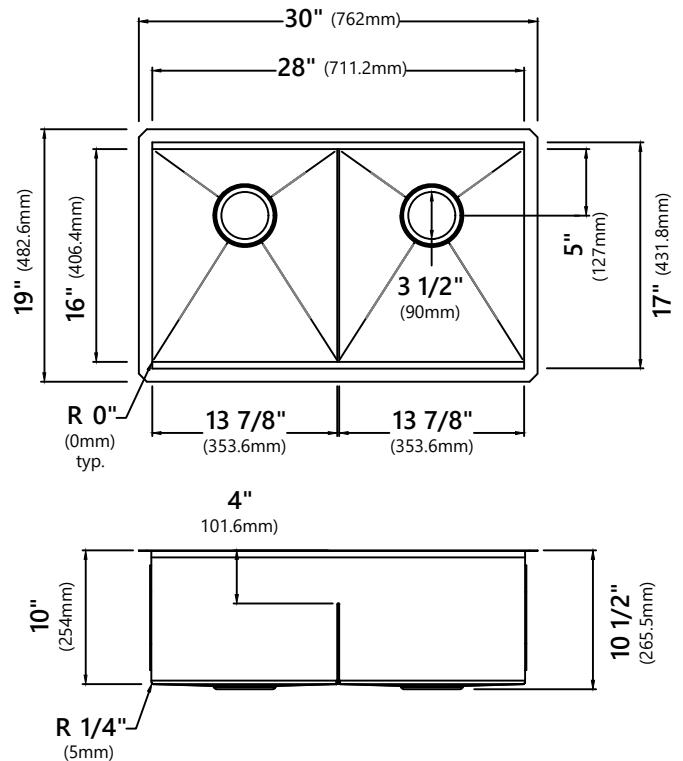
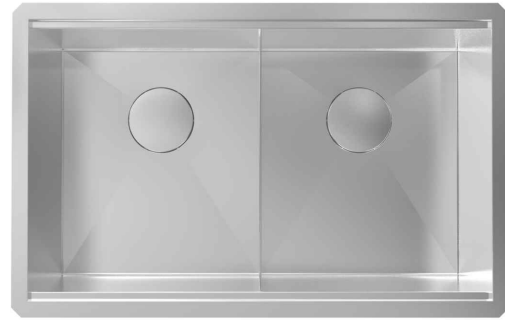
Accessories Included

- Strainer ST-1 x2
- Cover Cap STC-2 x2
- Bottom Grid KBG-UN1-30 x2
- Rolling Mat KRM-11BL
- Cutting board KCB-WS103BB
- Cut-Out Template
- Mounting Hardware

CODES/STANDARDS:

Product Certification

cUPC (ASME A112.19.3/CSA B45.4)



NOTE: It is not recommended to install this sink with a negative reveal. Doing so will prohibit the use of any workstation accessories as they will not fit.

Warranty

Kraus Limited Lifetime Warranty

see website for details www.kraususa.com

Kraus USA Customer Service

1.800.775.0703 | customerservice@kraususa.com

REV. January 26, 2021

KBG-WSU1-30

Stainless Steel Kitchen Sink Bottom Grid

Grid Dimensions

Overall Dimensions: 13 1/2" x 15 5/8" x 7/8"

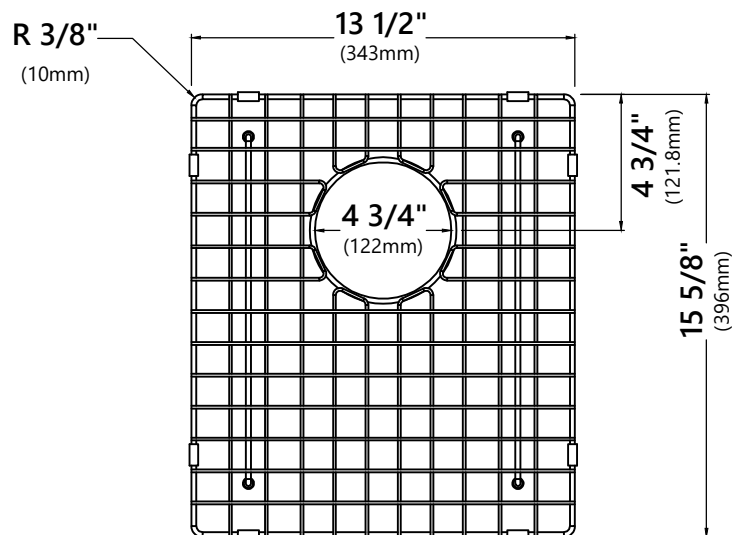
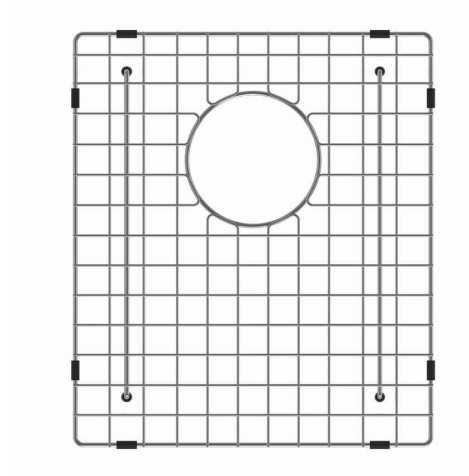
Features

- Commercial grade stainless steel construction
- For Use with the KWU112-30 and KWT302-30 kitchen sinks
- Protects bottom of sink from daily wear and tear
- Rubber feet provide additional protection

Warranty

Kraus One Year Limited Warranty

see website for details www.kraususa.com



ST-1

Stainless Steel Kitchen Sink Strainer

Strainer Dimensions

Overall Dimensions: $\phi 4 \frac{1}{2}$ " x $3 \frac{3}{4}$ "

Features

- Premium Stainless Steel construction
- Fits Standard $3 \frac{1}{2}$ " or 4" Drain Opening
- Open/Close Stopper Prevents Debris from Clogging Drain Pipe

Available Finishes

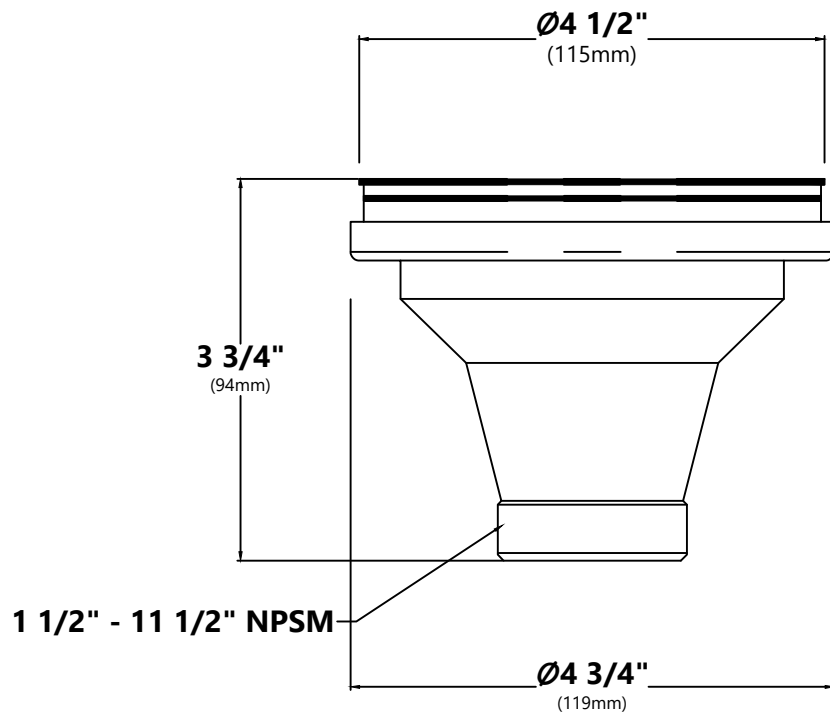
- Stainless Steel



Warranty

Kraus 1 Year Limited Warranty

see website for details www.kraususa.com



STC-2

Removable Decorative Drain Cover

Drain Cap Dimensions

Overall Dimensions: $\varnothing 4\ 1/2"$ x $5/8"$

Features

- Premium Stainless Steel Construction
- Fits Standard $3\ 1/2"$ Drain Opening
- Allows Water to Drain Easily When Installed
- Conceals Garbage Disposal and Waste Fittings for a Seamless Look
- Compatible with Standart Pro™, Pax™, Kore™, Outlast Microshield™ and Premier™ Kitchen sinks

Available Finishes

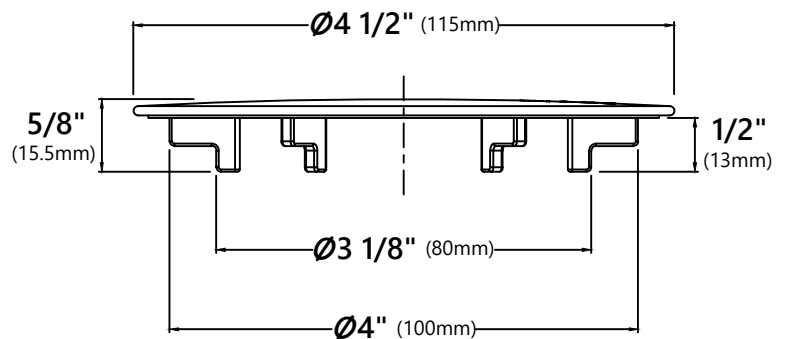
- Stainless Steel
- PVD Gunmetal



Warranty

Kraus 1 Year Limited Warranty

see website for details www.kraususa.com



KRM-11

Multipurpose Roll-Up Dish Drying Rack

Rolling Mat Dimensions

Overall Dimensions: 16 7/8" x 12" x 3/8"

Features

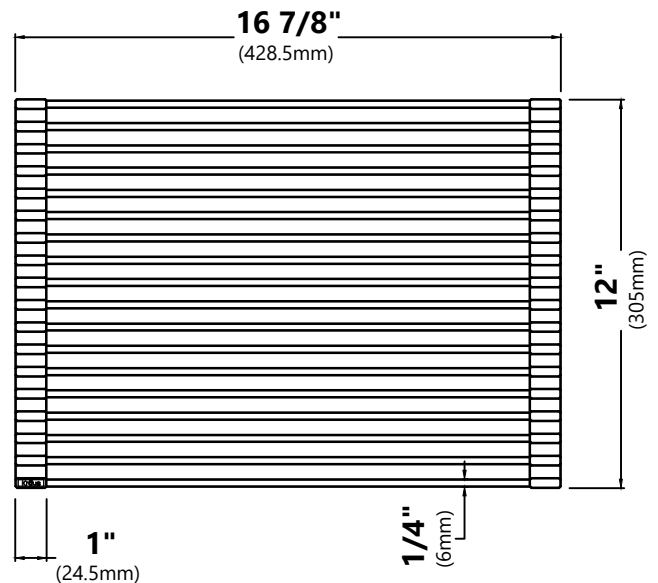
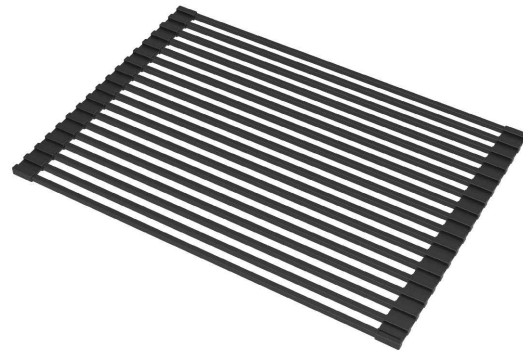
- Roll-up over-the-sink drying rack
- Stainless steel construction with non-slip silicone coating
- Rolls up into a compact cylinder for storage
- Dishwasher safe
- Heat-safe up to 400° F
- Holds up to 85 lbs
- BPA-free and FDA-approved
- For Use with KFR4-33, KGF1-30, KGF1-33, KGF2-30, KGF2-33, KWF210-30, KWF210-33, KWF210-36, KWF410-30, KWF410-33, KWF410-36, KWT310-30, KWT310-33, KWT311-25, KWU110-27, KWU110-30, KWU110-32, KWU111-17, KWU111-23, KWU112-33, KWU120-45 and KWU210-57 kitchen sinks

Available Colors

- Black
- Brown
- Dark Blue
- Dark Grey
- Light Grey
- Aqua
- Green
- Red
- Yellow

Warranty

Kraus One Year Limited Warranty
see website for details www.kraususa.com



KCB-WS103

Cutting Board

Cutting Board Dimensions

Overall Dimensions: 16 3/4" x 12" x 3/4"

Features

- Designed to Use Over the Sink and On the Counter
- Outer Groove Traps Liquids to Prevent Messy Counter
- BPA-free and FDA-approved

Available Finishes

- Bamboo
- Acacia
- Sapele



NOTE: Each piece may feature unique color variations

Warranty

Kraus One Year Limited Warranty

see website for details www.kraususa.com

